

# Hydraulic rotator

# A1.0409



Recomend with links and swing dampers:

## BR1 and BR4



Without brakes

## BR10 and BR40

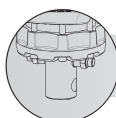


With single brake

2 years waranty



L73mm / PIN Ø25mm



Ø59mm / PIN Ø30mm



45 kN



1100 Nm at 25MPa



25 kN



23 kg



25 MPa



3/8"



20 MPa



3/8"

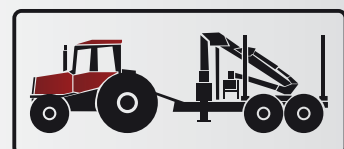


30 MPa



3/8"

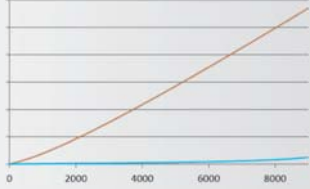
best for:



Since 2015 third quarter all Baltrotors 4t series rotators are performed in new, improved design.

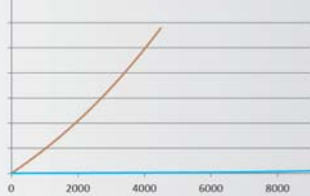
# A1.0409 dimensions mm [inch]

less wearing of the chamber



GR46 (2014 model)  
GR46 advanced performance (2015 model)

less wearing of the internal bushing

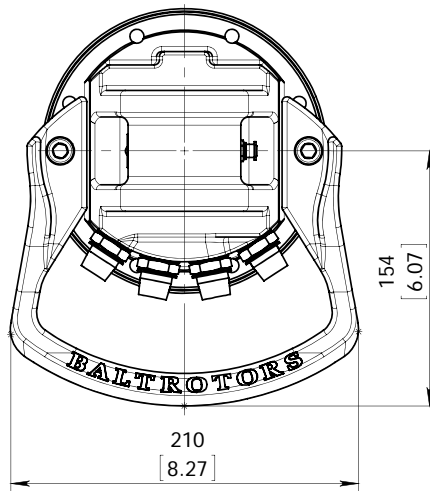
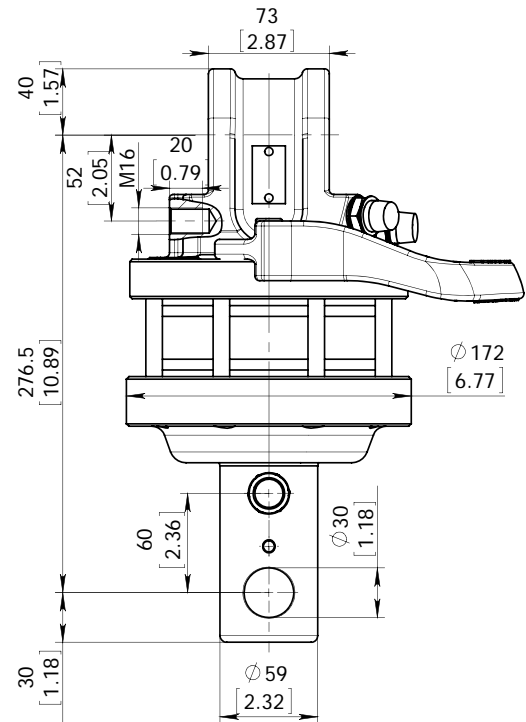
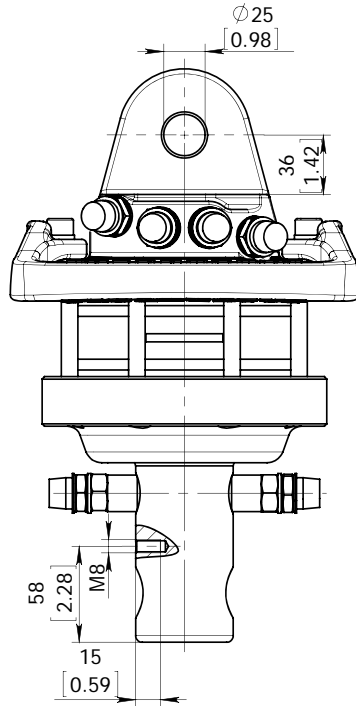


GR46 (2014 model)  
GR46 advanced performance (2015 model)

less wearing  
less spare parts  
by  
the same torque  
the same quality  
for  
the same money  
is  
more durability  
more efficiency



**GR4series**  
advanced performance



## Technical data

Rotation	Unlimited
Max axial load static, KN (lbf)	45 (10118)
Max axial load dynamic, KN (lbf)	25 (5621)
Torque at 25Mpa (3625psi), Nm (lb ft)	1100 (811)
Rec oilflow, l/min (US gallon)	20 (5.3)
Weight, kg (lb)	24 (53)

## Max working pressure:

Rotator	←R→	Max 25 MPa (3625 psi)	G 3/8
Grapple / Tool open	←G→	Max 20 MPa (2900 psi)	G 3/8
Grapple / Tool close	→G←	Max 30 MPa (4350 psi)	G 3/8

## Connection: